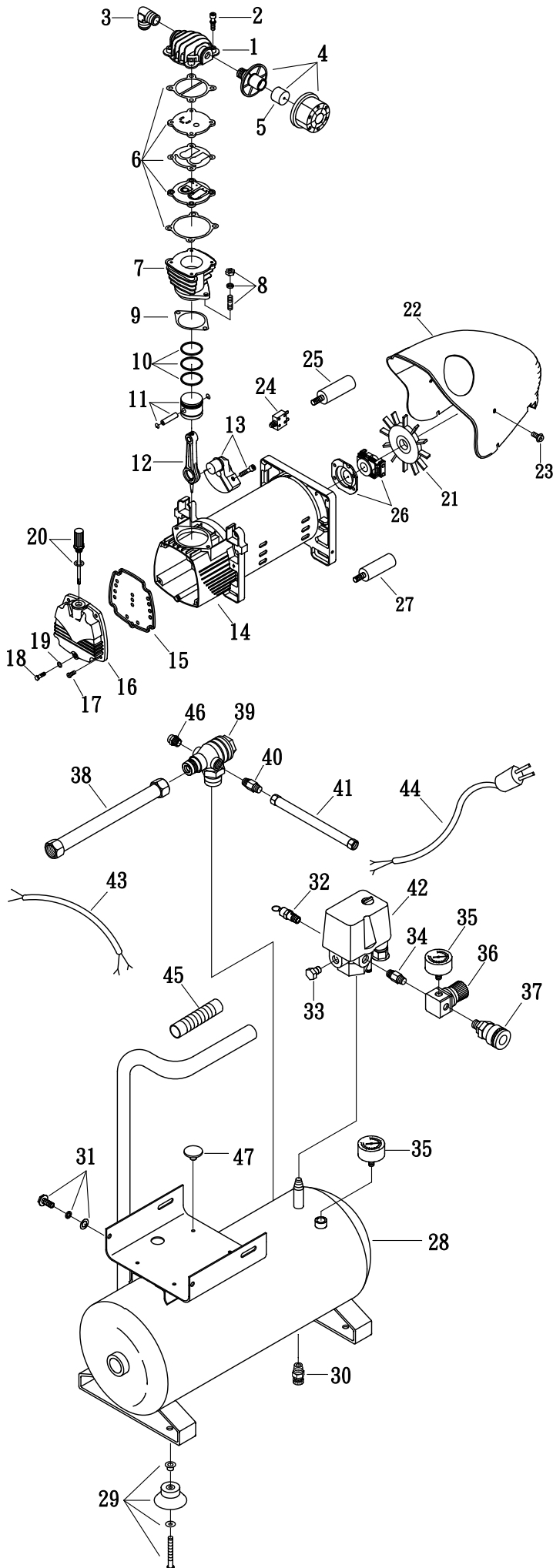


MODEL : MA08140

SPARE PARTS LIST

NO : XH-1210



REF. NO.	DESCRIPTION	PART NO.	QTY.
1	Cylinder head	3101061	1
2	Allen bolt set	3B01-M06*040V	4
3	Exhaust elbow	2N06-03T03H	1
4	Air filter	2140023A	1
5	Filter element	2142017	1
6	In. & Ex. valve assembly	3B13-K5047	1
7	Cylinder	3201066	1
8	Double head screw set	3B11-008-A	2
9	Cylinder gasket	2G04-015	1
10	Piston ring set	3B32-47N	1
11	Piston set	3B31-47	1
12	Rod	2315055X	1
13	Crankshaft & balancer	3304081	1
14	Motor set	3B8-ND2006DKG	1
15	Front cover gasket	2G07-010A	1
16	Front cover	3309024	1
17	Bolt	2B02-FM6*015	4
18	Bolt	2B02-FM6*035	1
19	O-ring	2N52-P06	1
20	Dipstick set	2339008A	1
21	Cooling fan	2336037-2	1
22	Shroud	2428014	1
23	Bolt	2B02-FM5*010WB	2
24	Circuit breaker	2E25-12A	1
25	Running capacitor	2E27-020S4545	1
26	Centrifugal switch	2E24-14062P	1
27	Starting capacitor	2E28-200S2535	1
28	Air tank	3401C058	1
29	Rubber pad set	3433011-A	4
30	Drain valve	2405012	1
31	Hexagon bolt set	3B00-SM06*020VW	4
32	Pressure relief valve	2406018CE	1
33	Plug	2N33-009	1
34	Nipple	2N01-045	1
35	Pressure gauge	2D12-15D15KS	2
36	Regulator	2408008LNX	1
37	Quick coupler	07S1/4M-E	1
38	Exhaust tube	3B2-03*500	1
39	Check valve	2414037	1
40	Elbow	2N16-C01TW02M	1
41	Soft tube set	2T03-W02*0210	1
42	Pressure switch	2E21-BC296BEX	1
43	Cable	2E02-2C30502Y2T	1
44	Power cable	2E01-029	1
45	Rubber grip	2432003	1
46	Auto relief valve	2409010	1
47	Feet block	2439016	4